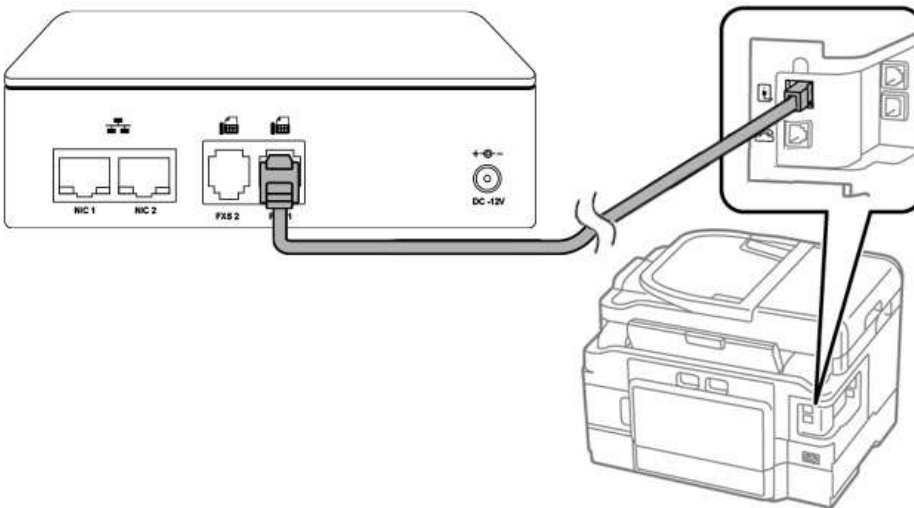
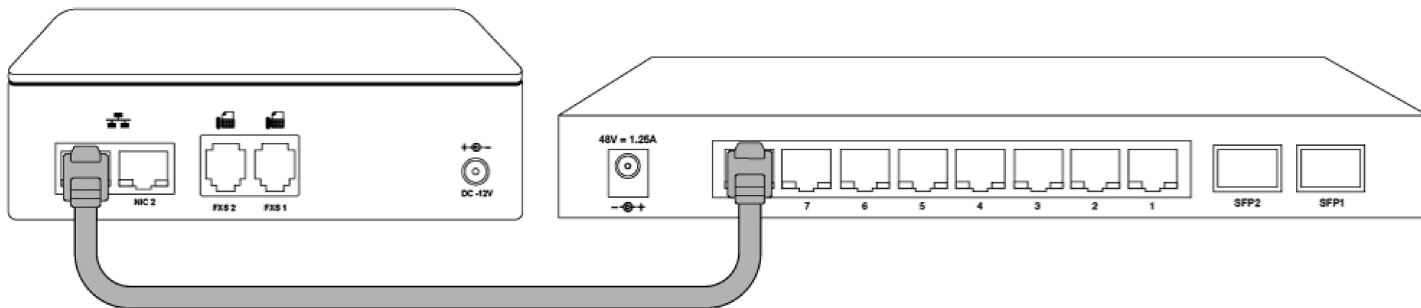




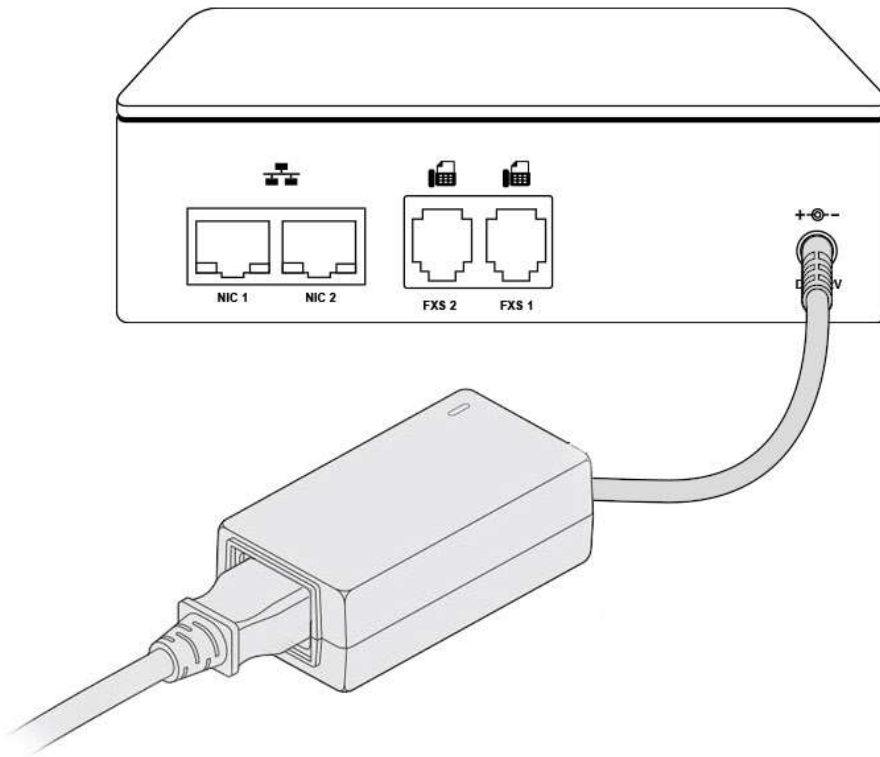
1. Once you have unboxed the device you will need to connect it to your network and plug your fax machine into 1 of the Fax Machine (FXS) ports, then plug it into a power outlet.
2. The SendFax.to Fax Appliance comes with 2 Fax Ports. Port 1 and Port 2. This allows you to connect up to two fax machines to each SendFax.to Fax Appliance. You will need to make sure you have the routing setup from your Inbound Fax Groups to your device and ports as outlined in our wiki here <https://kb.clearlyip.com/trunking/SendFax-to-Fax-Appliance.html>



3. Plug Network Port 1 into your local network that has access to the internet. This is needed to send and receive faxes. Network Port 2 is set up as a bridge from Network Port 1 to allow you to have Port 2 act as a passthrough switch to let you plug in another device such as a PC or anything else that needs network and where you only have a single network drop.



4. Plug in the included Power Supply into the back of the SendFax.to Fax Appliance and into an electric outlet or UPS. We always recommend the Appliance be plugged into a UPS.



5. The device will now power on and connect to the SendFax servers in the cloud and pull down all their configurations and check if any updates are available and install the updates.
6. For full configuration and setup instructions you can review our wiki here <https://kb.clearlyip.com/trunking/SendFax-to-Fax-Appliance.html>